

# PRODUCT INFORMATION PACKET

Model No: 145TTWD14031

Catalog No: N153

1.50 HP Washdown Motor, 3 phase, 1800 RPM, 230/460 V, 145JM Frame, TEFC  
Washdown Duty Motors





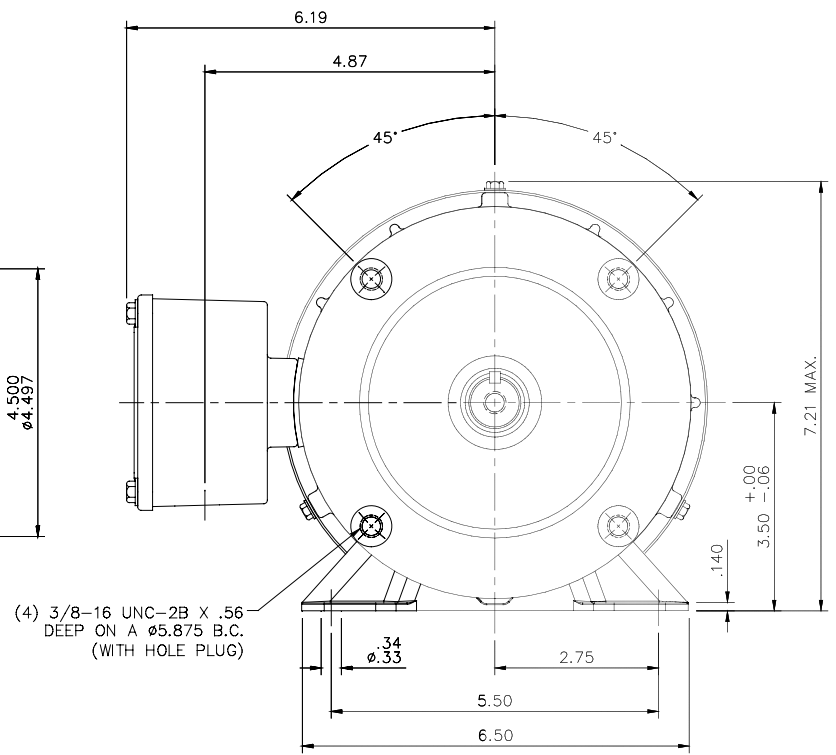
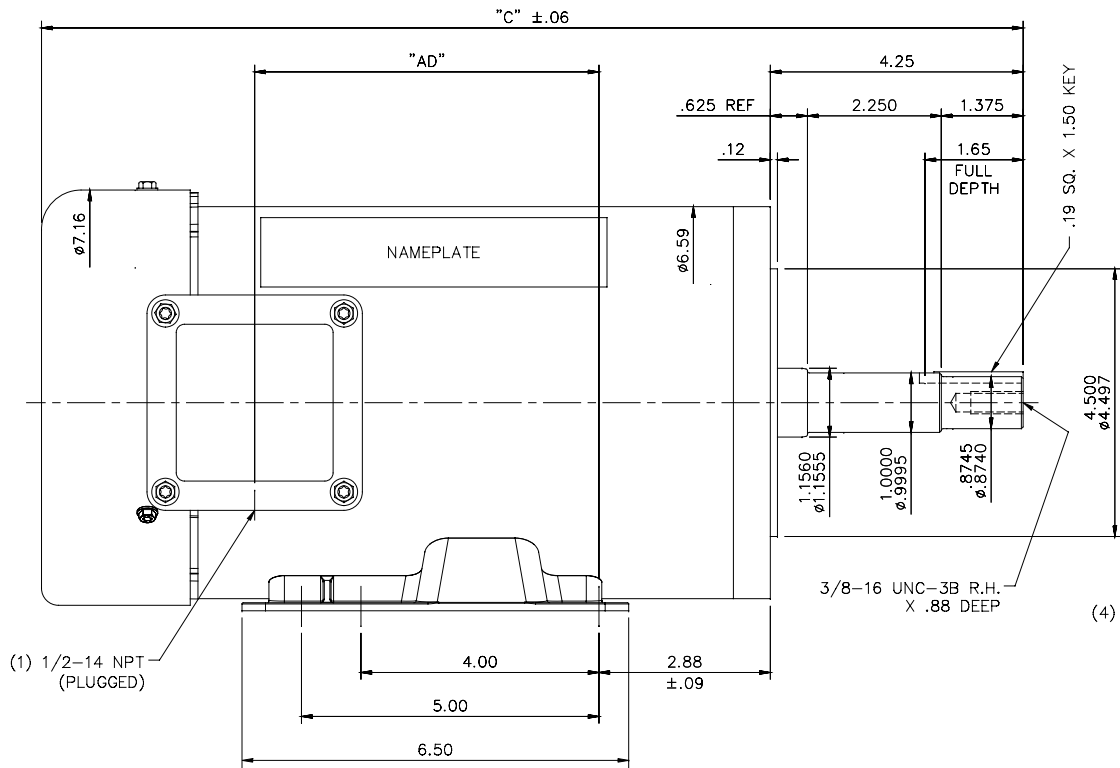
**Nameplate Specifications**

Output HP	<b>1.50 Hp</b>	Output KW	<b>1.1 kW</b>
Frequency	<b>60 Hz</b>	Voltage	<b>230/460 V</b>
Current	<b>4.4/2.2 A</b>	Speed	<b>1740 rpm</b>
Service Factor	<b>1.15</b>	Phase	<b>3</b>
Efficiency	<b>84 %</b>	Power Factor	<b>76</b>
Duty	<b>Continuous</b>	Insulation Class	<b>F</b>
Design Code	<b>B</b>	KVA Code	<b>K</b>
Frame	<b>145JM</b>	Enclosure	<b>Totally Enclosed Fan Cooled</b>
Thermal Protection	<b>No</b>	Ambient Temperature	<b>40 °C</b>
Drive End Bearing Size	<b>6206</b>	Opp Drive End Bearing Size	<b>6203</b>
UL	<b>Recognized</b>	CSA	<b>Y</b>
CE	<b>Y</b>	IP Code	<b>56</b>

**Technical Specifications**

Electrical Type	<b>Squirrel Cage Inverter Rated</b>	Starting Method	<b>Line Or Inverter</b>
Poles	<b>4</b>	Rotation	<b>Reversible</b>
Resistance Main	<b>2.52 Ohms</b>	Mounting	<b>Rigid Base</b>
Motor Orientation	<b>Horizontal</b>	Drive End Bearing	<b>Ball</b>
Opp Drive End Bearing	<b>Ball</b>	Frame Material	<b>Stainless Steel</b>
Shaft Type	<b>JM</b>	Overall Length	<b>16.00 in</b>
Frame Length	<b>8.50 in</b>	Shaft Diameter	<b>0.875 in</b>
Shaft Extension	<b>4.13 in</b>	Assembly/Box Mounting	<b>F1 Only</b>

This is an uncontrolled document once printed or downloaded and is subject to change without notice. Date Created:01/11/2019

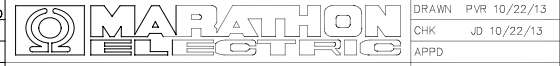


DASH NO.	"C"	"AD"
850	16.00	5.29
900	16.50	5.79
950	17.00	6.29

MAXIMUM FACE RUNOUT TO BE .004 T.I.R.  
 MAXIMUM PILOT ECCENTRICITY .004 T.I.R.  
 PERMISSIBLE SHAFT RUNOUT .002 T.I.R.

**ALL-STAINLESS**  
 VITON CONDUIT BOX & COVER GASKETS  
 VITON O-RINGS IN ENDBELL RABBETS & UNDER THRU BOLT HEADS  
 VITON SHAFT SEALS  
 BREATHER PLUGS IN CONDUIT BOX & L.E. ENDBELL  
 ALL STAINLESS STEEL CONSTRUCTION

ORACLE REV	NO.	REVISION	BY & DATE	CHK	ANG	TOLERANCES UNLESS SPECIFIED		FINISH	CAD FILE	SIZE	DRAWING NO.	REV.
						DEC.	INCHES					
						.X	±.1					
						.XX	±.03					
						.XXX	±.005					
						C	±.0005					
							±1/2"					
01		REVISED BASE PER ECO-0096587	ARV 2/9/16	SK	.XXXX				028620ME	B	028620ME	C



TITLE: OUTLINE - 140JM FRAME  
 TEFC - RIGID "C"  
 MAT'L: STAINLESS STEEL DUCK JM PUMP  
 DRAWN: PVR 10/22/13  
 CHK: JD 10/22/13  
 APPD: SCALE: 1=2  
 REF: 028620  
 FMF: 145TTWD14002  
 PREV: